





SAUNA BIVAK INFO

Designer and contractor:

BIVAK studio Kft.

→ www.bivak.io

Architectural designers:

Tamás Máté and Áron Vass-Eysen,

Pro Architectura award-winning
architects

Designer and Project manager:

Gergely Lukács Szöke







SAUNA CULTURE

An outdoor sauna, in terms of its size and details, is halfway between a building and a piece of furniture. Sauna bathing is a communal activity close to nature. We see that socially, culturally and economically, functioning in the community means the future, so we consider it important to support this with an architectural tool. Sauna bathing can be a community-forging activity, and can be operated without special infrastructure conditions. Firewood and a nice environment are required, the rest is up to the company. It can be used in both rural and urban environments. Its modest size and restrained dark color blend into any skyline and add to the character of the settlement with its visual quality.





PRE-PRODUCTION

The sauna is completely prefabricated with millimeter accuracy based on the design plans. Its structural system is made of layer-glued pine CLT panels. These high-quality solid wood panels are manufactured in Austria at Stora Enso's factory. The wooden panels are of visible quality, so it is not necessary to make a covering. The building can be heated quickly and, thanks to the layering of the monolithic, it is naturally ventilated, condensation is not a problem in terms of building physics, and it is durable. We build it ready in the workshop, no on-site work is required. This prefabricated wooden structure is a renewable, environmentally conscious and innovative technical solution.



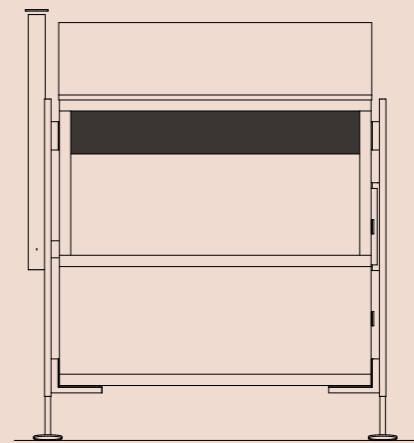
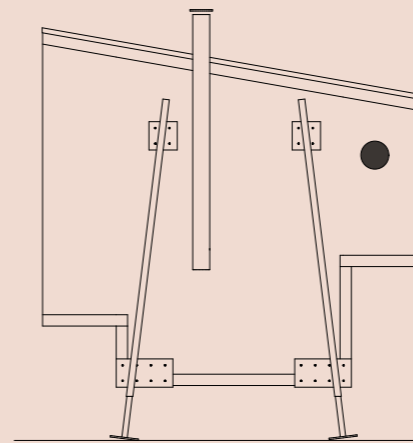
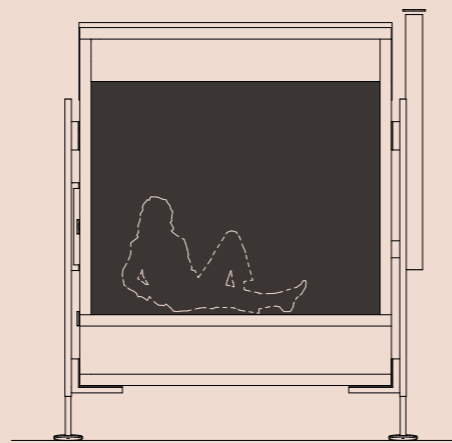
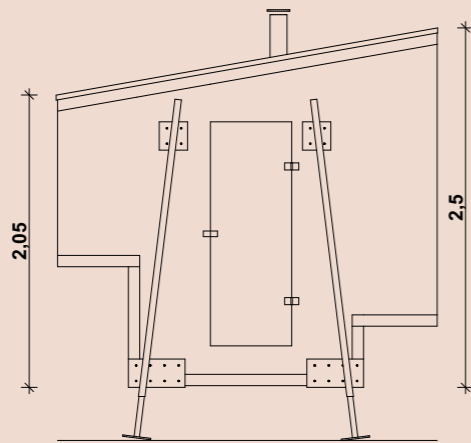


CHARACTER AND RECYCLING:

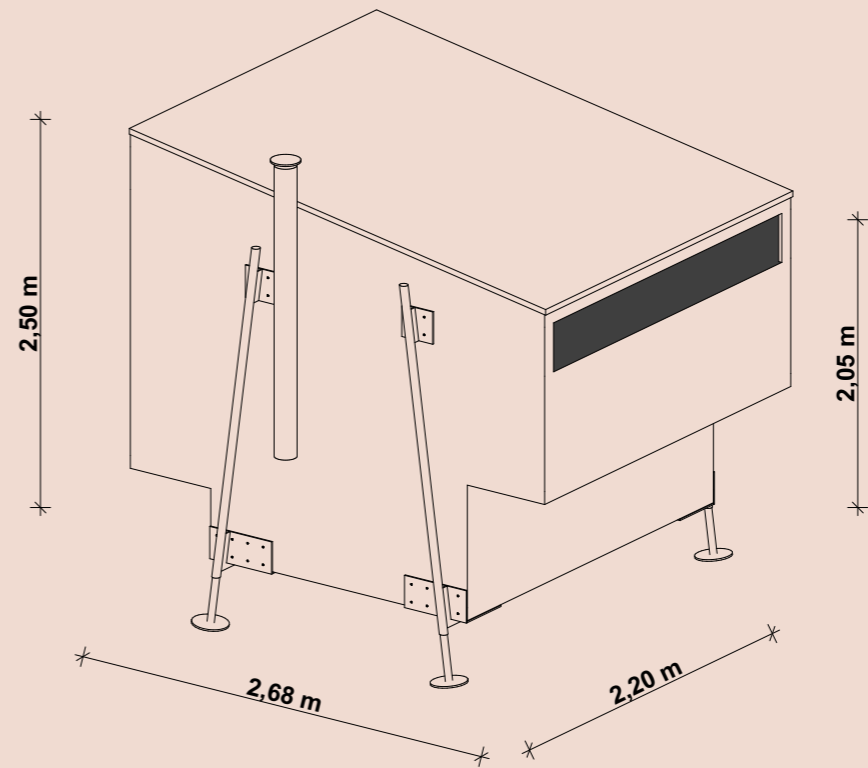
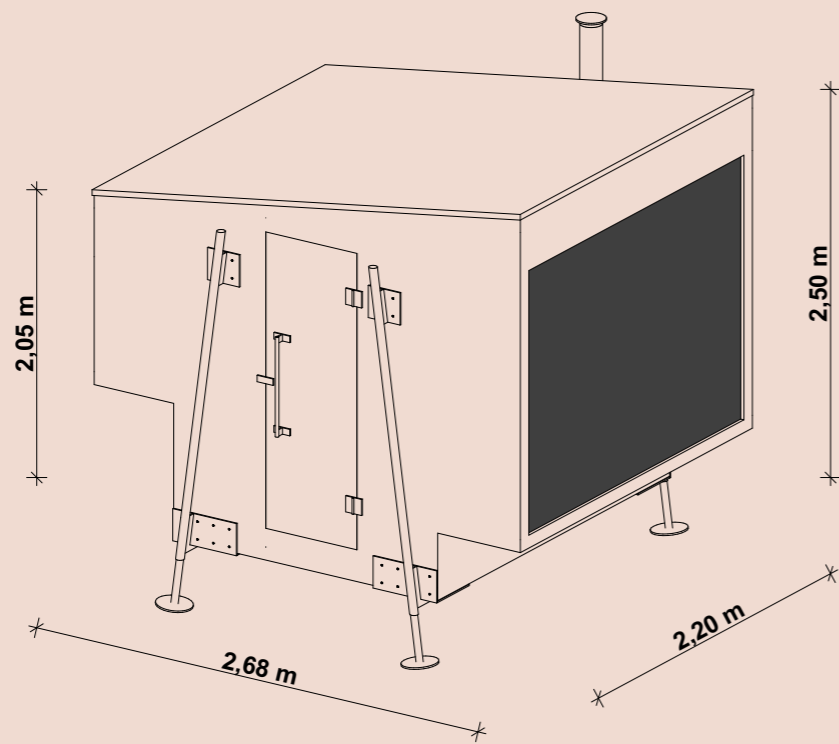
The characteristic part of the building with a floating effect, the four slender legs. This character trait was called for by mobility, because with these legs you can lift the structure off the trailer and adjust its height depending on the terrain, so it is not necessary to use a crane. As intended, they are used by the construction industry as spacers, for slab formwork and concreting. According to construction industry standards, these spacers must be scrapped after a certain number of pours. We rethought these used spacers and used them as legs. The outside of the building is treated with linseed oil by firing, making it resistant to the weather and insects. The sauna has a large, caseless 2-layer glass surface opening in the direction of the view, visually blurring the boundary between built and nature.



FACADE



AXONOMETRIC



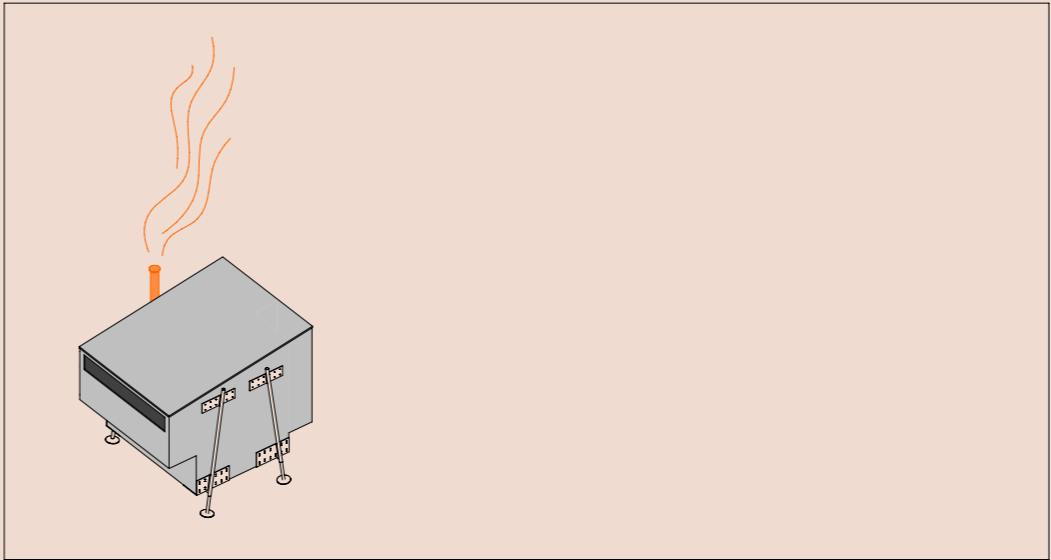
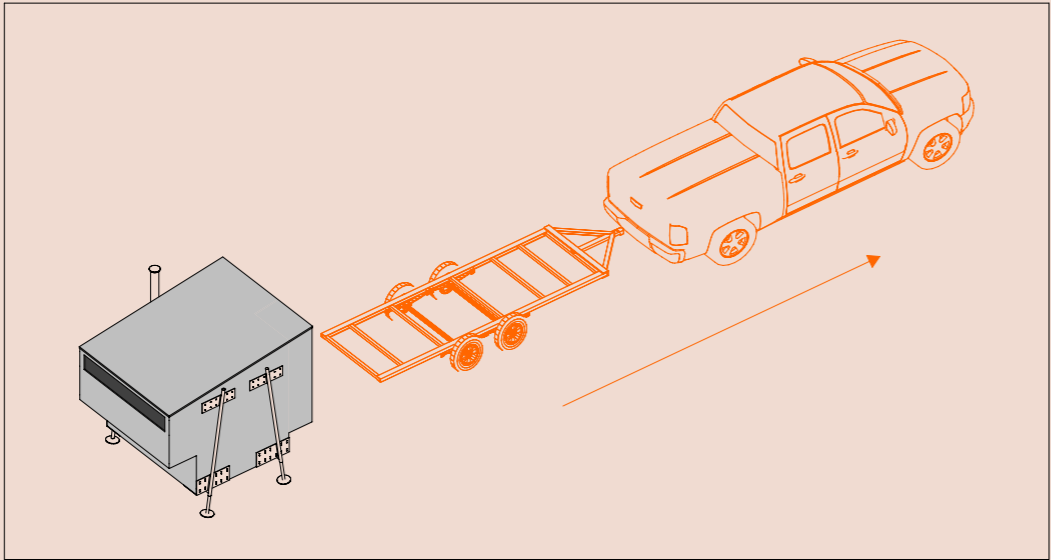
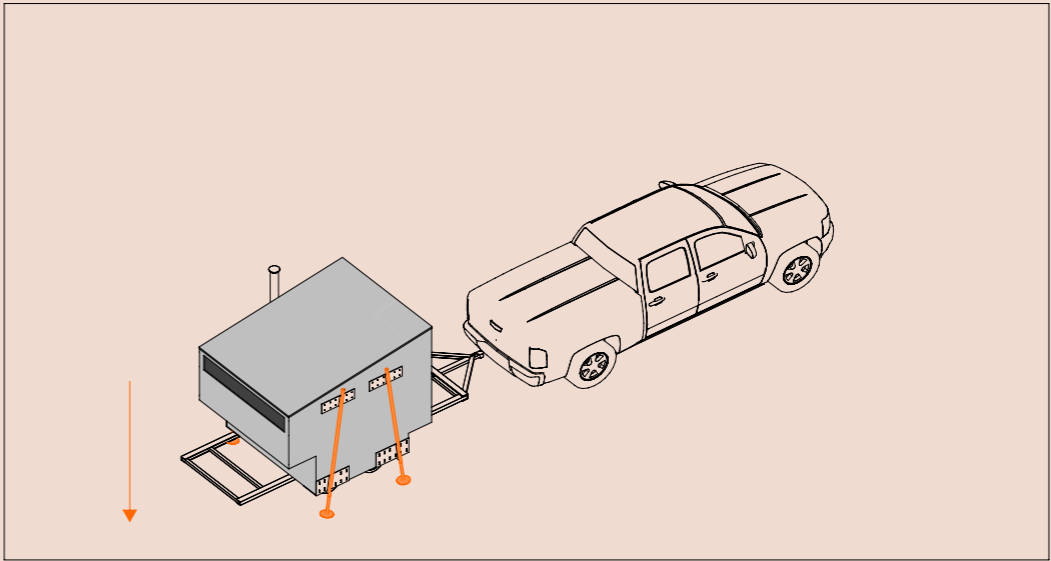
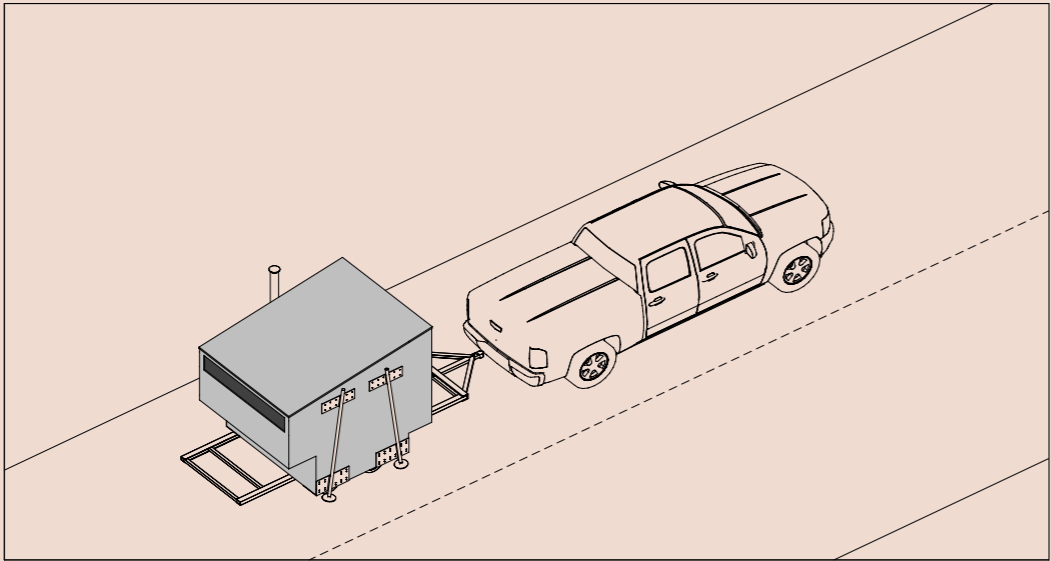




MOBILITY:

The size and weight of the sauna comply with the towing rules of the European road section, so on-site work and obtaining a building permit are not necessary. Due to road size restrictions, no more than 8 people can use our sauna product at the same time. It is installed by two people and takes one hour. The work does not involve construction activities.

MOBILITY



BIVAK

MOBILITY

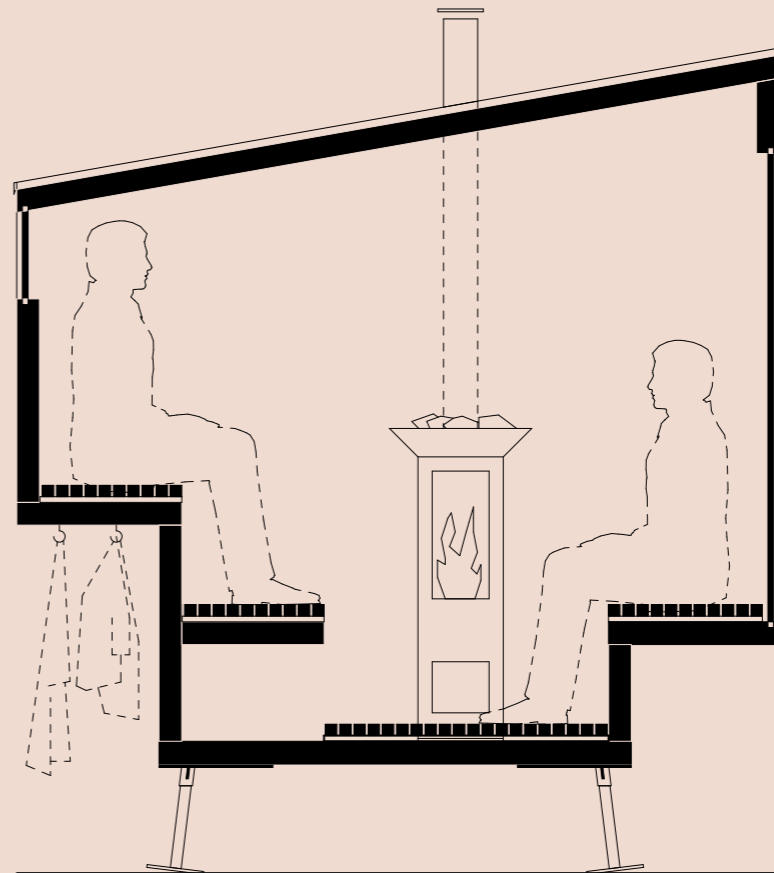
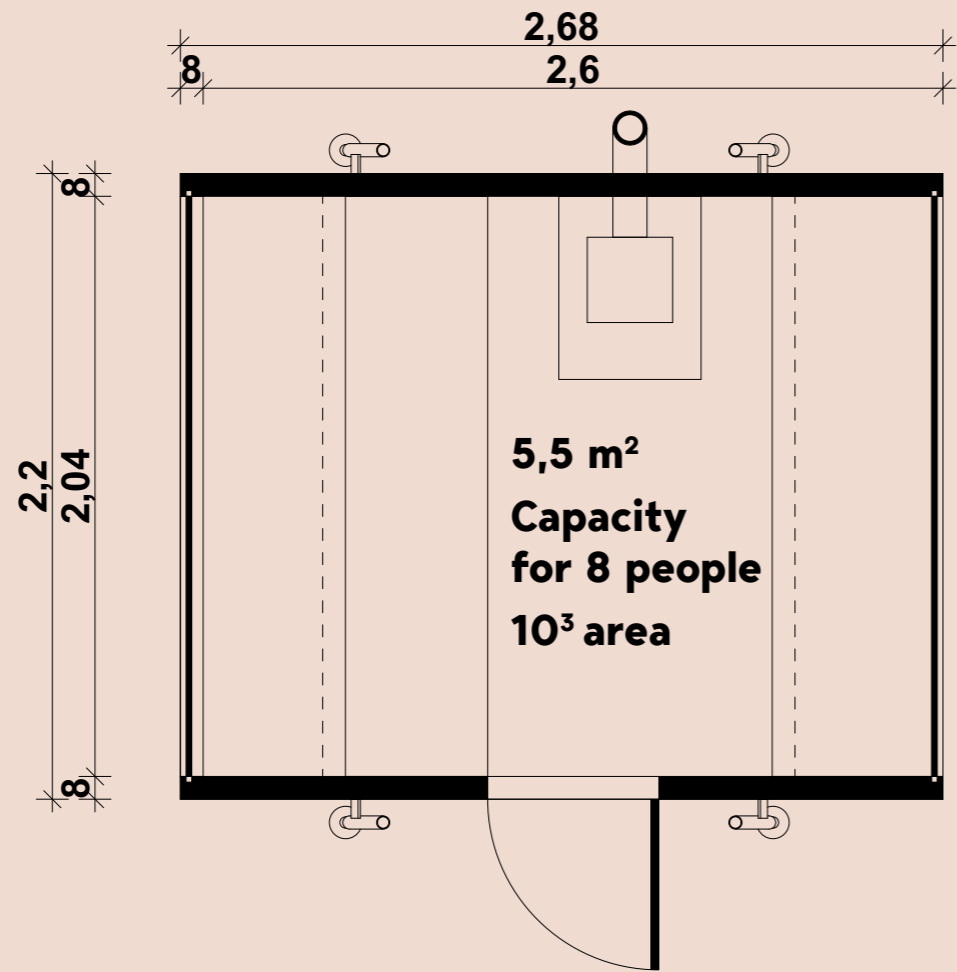




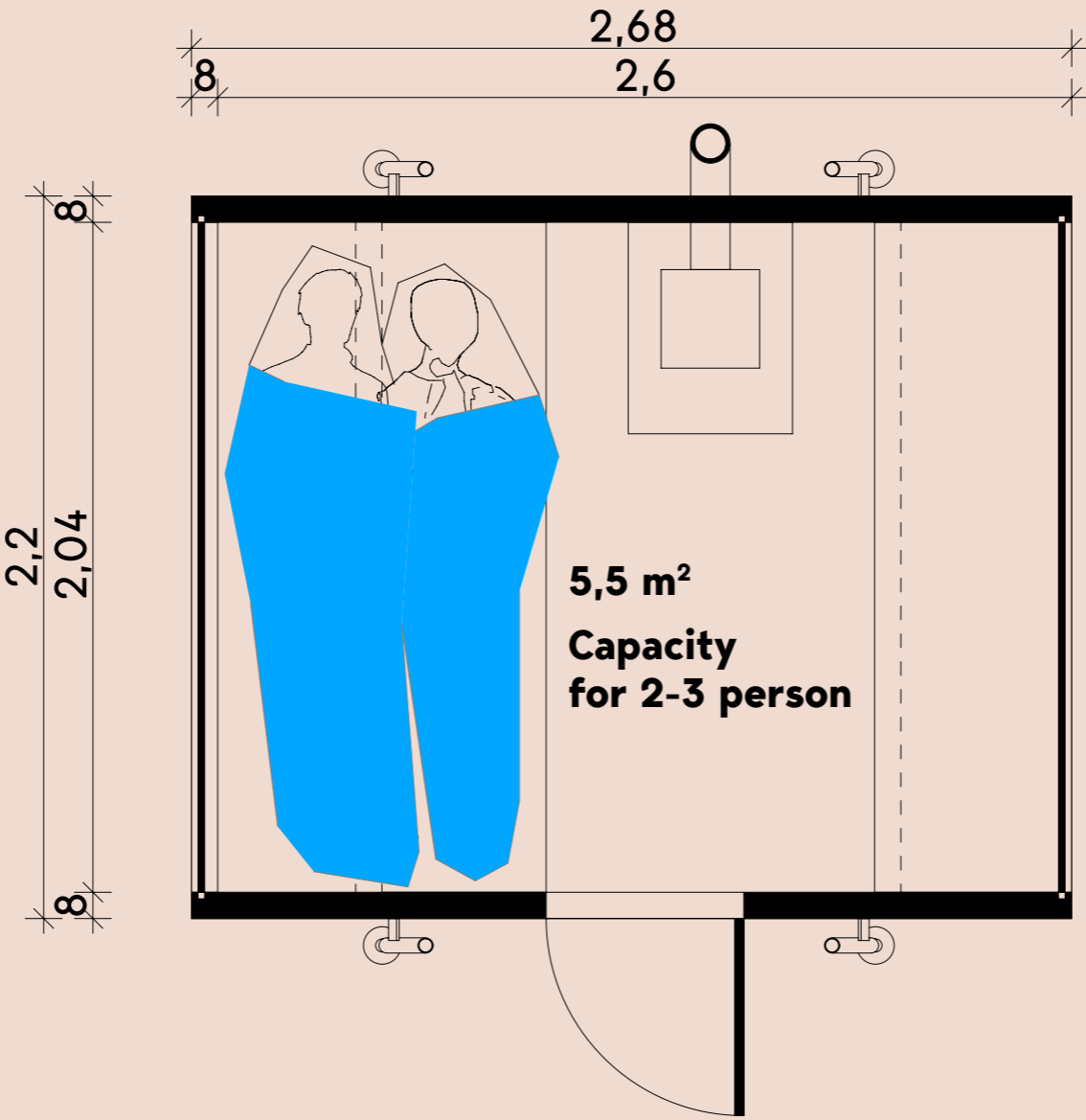
PROTOTYPE:

Tandem Bar on the Danube operates the prototype in Nagymaros. Until now, the bar was closed for the winter months and only operated seasonally, but due to the popularity of the sauna, it is now worthwhile for them to open in the winter months as well. The sauna, as a new service, strengthened the image of the place and generated traffic. They found that saunas have a community-forming power, bringing local and neighborhood people together. In the summer months, they are trying to rent out the sauna as a place to stay and sleep, based on the feedback, there is a lot of interest in it.

DIMENSIONS



SLEEPING CABIN (2-3 PERS.)



M 1:20

IN USE









SIZE AND INITIAL COST:

Size: 5.65 m² - capacity for 8 people

Useful volume: 10 m³

Price: 19.000 €

© Copyrights:

The SAUNA BIVAK product, designs and brand are the intellectual property of BIVAK studio Kft. (Máté Tamás and Áron Vass-Eysen).





S
A
U
N
A
B
I
V
A
S

